



Mini-Bullet Camera

Installation Guide

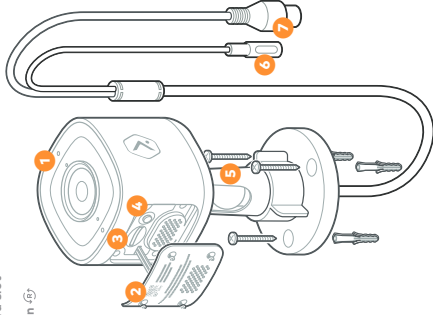
ADC-VC727P

Pre-installation checklist

- ADC-VC727P
- AC power adapter (required for non-PoE connections) (sold separately)
- Router with broadband Internet connection (Cable, DSL, or Fiber Optic) and an open Ethernet port
- A computer or mobile device with Internet access
- An Ethernet / Cat5e cable
- Username and password for the Alarm.com account to which you will add the camera

Overview

- 1 LED indicator
- 2 Camera label with MAC Address
- 3 MicroSD card slot
- 4 Reset button 
- 5 Ball joint mount
- 6 12 VDC power connector
- 7 RJ45 ethernet interface



LED reference



Not illuminated - Power off



Solid green - Connected to Alarm.com



Blinking green - Local network connection



Blinking green and red - Reverting to factory default settings



Blinking red - Power on, camera booting



Solid red - No local or Internet connection

Installation

Service provider technician - MobileTech installation

- 1 Log in to MobileTech.
- 2 Select the customer's account.
- 3 Tap **Quick Actions** > **Add Device** > **Video**.
- 4 Follow the on-screen instructions.

Ethernet mode

Complete these steps prior to installing the camera in its final location:

- 1 Connect the camera to the router via an Ethernet cable.
- 2 If the Ethernet connection does not provide power, connect the camera to the optional AC power adapter (sold separately) and plug the adapter into a non-switched outlet.
- 3 Wait 2 minutes for the camera to boot up and connect to the Internet. The LED will be solid green when this process is complete.
- 4 Add the device to the account by either selecting the account in MobileTech or by using a web browser and entering the following URL: www.alarm.com/addcamera (you will need the customer username and password).

Camera mounting overview

- 5 Select the camera from the video device list or enter its MAC address to begin adding the camera. The camera's MAC address is located on the bottom of the device or on the packaging.
- 6 Follow the on-screen instructions to finish adding the camera.
You can now power down the camera.

Weather resistant RJ45 cap assembly

