

### Features

- Selectable wireless panel and sensor compatibility
- Translator or repeater operation
- Rechargeable backup battery
- Cover tamper
- Certified to UL1023 and ULC1023

### Quick Setup

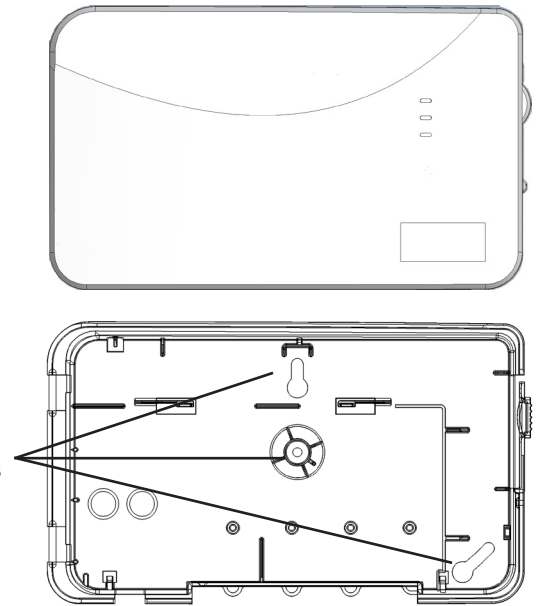
#### 1 MOUNT AND WIRE

- Select a mounting position and location.
- Connect the power supply to the translator.

#### 2 TRANSLATOR CONFIGURATION

- Select the brand of panel that the translator must talk to using the "PANEL SELECT" knob.
- Select the brand of sensors that the translator must listen to using the "SENSOR SELECT" knob.
- Sensor configuration: The translator must learn the sensors that are to be translated or repeated.
  - Press the "CONFIGURE" button to enter configuration mode.
  - Tamper or trip all sensors that are to be included in the system
  - Press the "CONFIGURE" button to exit configuration mode.

Wall mounting screw locations



(Mounting hardware not included. Use two #4 or # 6 screws for mounting)

#### 3 PANEL ENROLLMENT

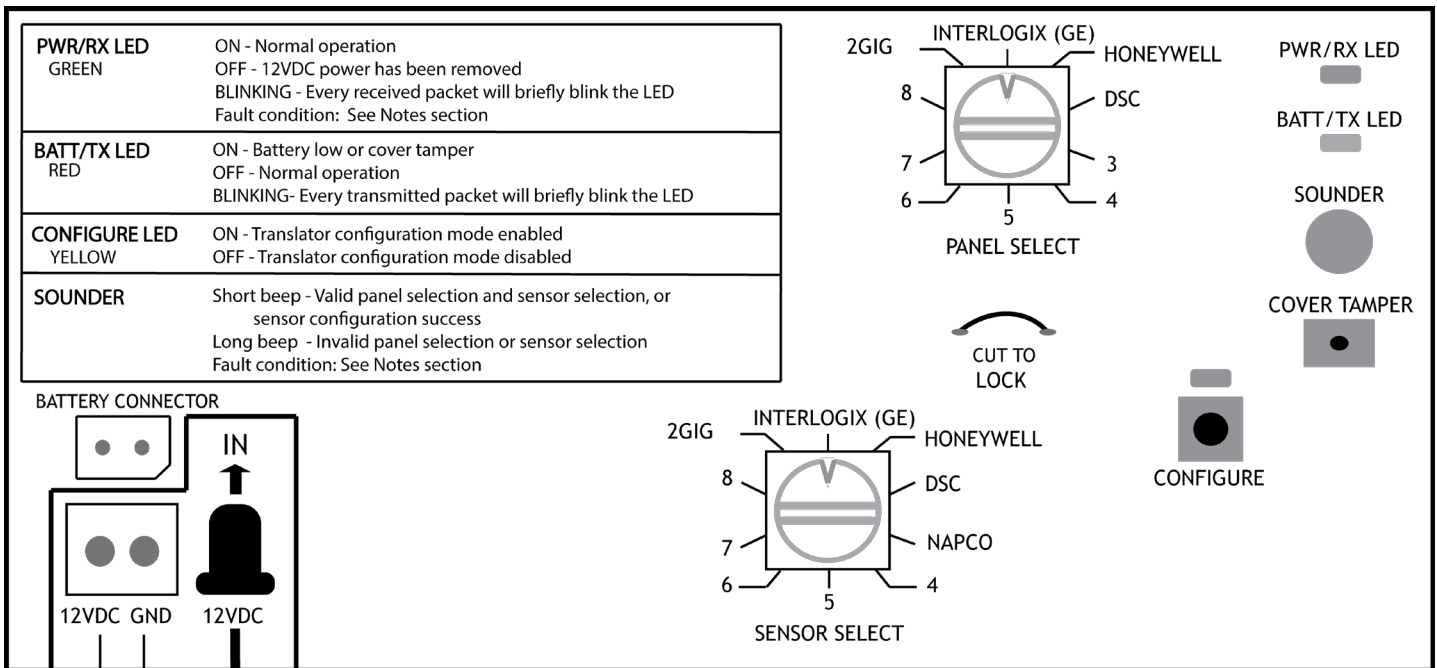
(For full sensor enrollment instructions, refer to Advanced Setup, step 3)

- Enroll Translator into Panel.
  - Trip the translator tamper to enroll the translator into the panel (For Honeywell® and 2GIG® panels select loop 1).
  - or-
  - Enter ID into panel. The translator's ID is printed on the bar code label.
- Enroll Sensors into Panel
  - With the translator cover open, trip each sensor to enroll it into to the panel.
  - Finish setup of each sensor at the panel.

#### 4 FINISH

- With the translator cover open, perform a panel sensor test.
- Close the cover. Test and verify proper operation of the sensors at the panel.
- Cut the lock wire to lock the translator (For more information on locking, refer to Advanced Setup, step 4).
- Secure cover with screw.

### DIAGRAM



12VDC INPUT FOR TRANSLATOR

(Do not use with life safety sensors such as smoke, heat, or CO detectors)

# Advanced Setup

## 1 MOUNT AND WIRE

- A** Select a mounting position and location.
- Mount the translator at least 5 feet from the Control Panel's receiver.
  - Do NOT mount the translator in a metal can or on a metal surface.
  - Verify adequate RF signal strength at the panel before permanently mounting.
- B** Connect the power supply to the translator using either the supplied barrel connector or flying leads.
- Rotate the barrel plug down to the right so the wires exit the enclosure through the strain relief area.
  - Ensure the backup battery connector is plugged into the translator.
  - The power transformer must be plugged into a non-switched outlet.
  - In the United States, the transformer must be secured to an outlet.
  - In Canada, the transformer must NOT be secured to the outlet.

## 2 TRANSLATOR CONFIGURATION

- A** Select the brand of panel that the translator must talk to using the "PANEL SELECT" knob.
- B** Select the brand of sensors that the translator must listen to using the "SENSOR SELECT" knob.
- C** Sensor Configuration: The translator must learn the sensors that are to be translated or repeated.
- a) Press and release the CONFIGURE button to enter translator configuration mode. The yellow LED will turn on when translator configuration mode is entered.
  - b) Tamper or trip all sensors to be included in the system. The translator beeps for each sensor that is included in the system.
  - c) Press CONFIGURE button to exit translator configuration mode. The yellow LED will turn off when the translator configuration mode is exited.
- Configuration mode ends automatically when the cover is closed or 30 minutes after the last action.
  - Sensors may be enrolled directly into the panel while in configuration mode.
  - Configuration mode is locked out 24 hours after power up. To re-enable configuration mode, the translator must be power cycled by removing both 12VDC input power and backup battery for at least 5 seconds.
  - When re-entering translator configuration mode, previously configured sensors are retained. There is no need to re-configure every sensor if the intention is to add a sensor.
  - Configuration data is retained even if both the 12VDC input power and battery backup power are lost.
  - When both the panel and sensor selection knobs are set to the same brand the translator will act as a repeater.

## 3 PANEL ENROLLMENT

- A** Enroll Translator into Panel:
- Trip the cover tamper to enroll the translator into the panel.
  - or-
  - Enter ID into panel. The translator's base ID is printed on the bar code label.

(For Honeywell® and 2GIG® panels, select loop 1)

## 3 PANEL ENROLLMENT (continued)

- B** Enroll Sensors into panel:
- With the translator cover open, tamper or trip each sensor to send an enrollable transmission to the panel.
  - Finish setup of each sensor at the panel.

Below are guidelines on how to enroll the translator and sensors into your panel. Refer to the panel installation manual for complete panel instructions.

### Interlogix ® (formerly GE ®)

#### *Translator enrollment:*

Enter Learn Sensor mode.

At the Trip Sensor prompt: Trip the translator's cover tamper to enroll the translator into the panel.

Select Group 13 instant perimeter

#### *Sensor enrollment:*

Enter Learn Sensor mode.

At the Trip Sensor prompt: Tamper each sensor to enroll it. If the sensor does not have a tamper switch trip the sensor with translator cover open to enroll it.

- For the first 24 hours after power-up, all Interlogix sensor trips will transmit a temporary tamper for enrollment if the translator cover is open.

Set up the sensor for the desired behavior.

### Honeywell ®

#### *Translator enrollment:*

Enter Programming mode.

Zone Type: 3 (Perimeter).

Input Type: 3 (Supervised RF).

When prompted:

- Trip the translator's cover tamper multiple times.
- or-
- Enter the translator's ID number, which is printed on the unit.

Change the sensor to loop 1.

#### *Sensor enrollment:*

Enter Programming mode.

Set up the sensor for the desired behavior.

When prompted: Perform the typical Honeywell enrollment sequence.

The translator does not support multiple loops on Honeywell sensors. Only one loop may be used.

### 2GIG ®

#### *Translator enrollment:*

Enter RF enrollment mode

Sensor Type: (03) perimeter

Equipment Code: (0862) DW10-345.

At "Enter RF Serial Number":

- Press SHIFT, Learn, then trip the translator cover tamper to enroll the translator
- or-
- Enter the translator's ID number, which is printed on the unit.

Equipment Age: (0) new

Loop Number: (1)

#### *Sensor enrollment:*

Enter RF enrollment mode.

Set up the sensor for the desired behavior.

When prompted, perform the typical 2GIG enrollment sequence.

### 3 PANEL ENROLLMENT (continued)

#### DSC ®

##### *Translator enrollment:*

Enter Wireless Enrollment mode.

Trip the translator cover tamper to enroll the translator.

Zone Type: 03 (instant)

- For the first 24 hours after power-up, all translator tamper trips will send a temporary “open” for enrollment purposes.

##### *Sensor enrollment:*

Enter Wireless Enrollment Mode.

Trip each sensor to initiate enrollment.

Set up the sensor for the desired behavior.

#### Qolsys ®

- Qolsys IQ panel uses Interlogix 319.5MHz protocol.
- DSC Touch panel made by Qolsys uses DSC 433.92MHz protocol.

### 4 FINISH

- A** With the translator cover open, perform a panel sensor test.
- When the translator cover is open the translator will only send sensor transmissions to the panel if the received sensor transmissions have enough signal margin to be reliably received by the translator.
  - Closing the translator cover exits translator sensor test mode. When the translator is not in sensor test mode all received sensor transmissions are sent to the panel.
  - Translator sensor test mode is locked out 24 hours after power up. To re-enable sensor test mode, the translator must be power cycled by removing both 12VDC input power and backup battery for at least 5 seconds.
- B** Close the cover. Test and verify proper operation at the panel. Ensure all sensor alarms are reported properly to the central station.
- C** Translator Locking: Locking the translator locks all translator configuration settings and provides takeover protection.
- a) Ensure all sensors are functioning as desired.
  - b) Carefully review the effects of translator locking before proceeding:
    - Translator can not be factory defaulted.
    - Existing sensor configurations can not be changed. However, new sensors may be configured.
    - Panel selection can not be changed.
    - Sensor selection can not be changed.
    - Translator **LOCKING CAN NOT BE UNDONE.**
  - c) Open the translator cover and cut the lock wire. The green and red LED will flash, and the sounder will beep to confirm.
  - d) The translator locks automatically after 30 days of continuous operation.
- D** With the cover closed, insert the cover securing screw into the screw hole near the cover latch.

## Notes

### SENSORS

- If the translator loses both 12VDC input power and battery back up power, sensor configuration data is retained.
- Low battery, tamper, and supervisory signals are reported by the translator on its ID.
- Low battery signals from the translator are suppressed in the first 24 hours after power-up. However, a missing battery condition is reported right away.
- The translator does not support multiple loops on Honeywell sensors. Only one loop may be used, reed or external.

### FAULT CONDITIONS

- 12VDC input overvoltage fault: Continually flashes and beeps on the green LED and sounder.
- 12VDC input removed fault: Green LED turns off and the sounder makes a long beep.

### FACTORY DEFAULT

- To return the translator to a factory default condition, press and hold the configure button. After a couple seconds, the sounder will start beeping rapidly. Continue holding the button until the sounder stops beeping.
- Factory default is not possible if the translator is locked.

# KEY FOB MAPPING

PANEL	FUNCTION	KEYFOB				
		HONEYWELL	2GIG	INTERLOGIX	DSC	NAPCO
HONEYWELL	Off (loop 2) On (loop 3) Left (loop 4) Right (loop 1) No action		Unlock Away Stay Away+Unlock Star	Unlock Lock Lights Lock+Unlock Star	Off Away Home Panic -	Off On Left (A1) Right (A2) -
2GIG	Unlock Away Stay Panic (Away+Unlock) Star No action	Off On Left Right - -		Unlock Lock - Lock+Unlock Star Lights	Off Away Home Panic - -	Off On Left (A1) Right (A2) - -
INTERLOGIX	Unlock Lock Lock+Lock Panic (Lock+Unlock) No action	Off On or Left On Right -	Unlock Away or Stay Away Away+Unlock Star		Off Away or Home Away Panic -	Off On or Left (A1) On Right (A2) -
DSC	Off Away Home Panic No action	Off On Left Right -	Unlock Away Stay Away+Unlock Star	Unlock Lock Star Lock+Unlock Lights		Off On Left (A1) Right (A2) -

## Specifications

PHYSICAL	
Housing Dimensions	8.5 x 5.0 x 1.3 inches
Weight with Battery	16.0 Ounces
Tamper Activation	Cover Opening
Mounting Screws	#4 or #6
ENVIRONMENTAL	
Operating Temperature	32 to 120°F (0 to 49°C)
Storage Temperature	-4 to 86°F (-20 to 30°C), Long-Term
Maximum Humidity	85% relative humidity, non-condensing
POWER	
<b>Power Transformer</b>	
Input	100-240VAC 50/60Hz 0.5A
Output	12VDC 1A
Part Number	RE012-6
<b>Battery</b>	
Backup Specifications	24 hours minimum 6VDC 800mAh NiMH
Part Number	RE030
Trickle Charge	8mA
Fast Charge	32mA
WIRELESS RADIO	
RF Frequency	319.5MHz, 345MHz, 433.92MHz
Compatibility	Interlogix® (formerly GE®), 2GIG® Honeywell®, DSC®, Qolsys®, Napco®
Sensors	Up to 128
CERTIFICATIONS	
ETL Listings	UL 1023, ORD-C1023-1974
Other	FCC, IC

Specifications subject to change without notice.

This product is NOT for use with life safety sensors, such as Smoke, Heat, or CO detectors.

## Notices

"GE", "INTERLOGIX", "HONEYWELL", "DSC", "2GIG", "QOLSYS" AND "NAPCO" ARE TRADEMARKS OWNED BY GENERAL ELECTRIC COMPANY, UNITED TECHNOLOGIES ELECTRONIC CONTROLS INC., HONEYWELL INTERNATIONAL INC., TYCO SAFETY PRODUCTS CANADA LTD, NORTEK SECURITY & CONTROL LLC, TYCO SAFETY PRODUCTS CANADA LTD, AND NAPCO SECURITY TECHNOLOGIES, INC. RESPECTIVELY.

RESOLUTION PRODUCTS, INC. PRODUCTS WILL FUNCTION WITH ONE OF EITHER INTERLOGIX (FORMERLY GE), HONEYWELL, DSC, 2GIG OR QOLSYS SYSTEMS. HOWEVER, NO RESOLUTION PRODUCT IS PRODUCED BY, ENDORSED BY, NOR IS OFFICIALLY ASSOCIATED WITH INTERLOGIX (FORMERLY GE), HONEYWELL, DSC, 2GIG, QOLSYS OR NAPCO. RESOLUTION RECOMMENDS VERIFYING PROPER ENROLLMENT AND OPERATION, PER CONTROL PANEL INSTALLATION INSTRUCTIONS, AT INSTALLATION.

**WARRANTY**  
RESOLUTION PRODUCTS, INC. WILL REPLACE PRODUCTS THAT ARE DEFECTIVE IN THEIR FIRST FIVE (5) YEARS.

**FCC NOTICE**  
THIS DEVICE COMPLIES WITH PART 15 OF THE FCC RULES. OPERATION IS SUBJECT TO THE FOLLOWING TWO CONDITIONS:  
(1) THIS DEVICE MAY NOT CAUSE HARMFUL INTERFERENCE.  
(2) THIS DEVICE MUST ACCEPT ANY INTERFERENCE THAT MAY BE RECEIVED, INCLUDING INTERFERENCE THAT MAY CAUSE UNDESIRE OPERATION.  
CHANGES OR MODIFICATIONS NOT EXPRESSLY APPROVED BY RESOLUTION PRODUCTS, INC. COULD VOID THE USER'S AUTHORITY TO OPERATE THIS EQUIPMENT.

FCC ID: U5X-RE524X

**IC NOTICE**  
THIS DEVICE COMPLIES WITH INDUSTRY CANADA LICENSE-EXEMPT RSS STANDARD(S). OPERATION IS SUBJECT TO THE FOLLOWING TWO CONDITIONS:  
(1) THIS DEVICE MAY NOT CAUSE INTERFERENCE, AND  
(2) THIS DEVICE MUST ACCEPT ANY INTERFERENCE, INCLUDING INTERFERENCE THAT MAY CAUSE UNDESIRE OPERATION OF THE DEVICE.  
LE PRÉSENT APPAREIL EST CONFORME AUX CNR D'INDUSTRIE CANADA APPLICABLES AUX APPAREILS RADIO EXEMPTS DE LICENCE. L'EXPLOITATION EST AUTORISÉE AUX DEUX CONDITIONS SUIVANTES :  
(1) L'APPAREIL NE DOIT PAS PRODUIRE DE BROUILLAGE, ET  
(2) L'UTILISATEUR DE L'APPAREIL DOIT ACCEPTER TOUT BROUILLAGE RADIOÉLECTRIQUE SUBI, MÊME SI LE BROUILLAGE EST SUSCEPTIBLE D'EN COMPROMETTRE LE FONCTIONNEMENT.

IC: 8310A-RE524X

**PATENTS**  
8,456,278  
OTHER PATENTS PENDING

Manual: 47-0014-00 REV A

Date: 24-Feb-16

24-Hour Tech Support Line: (877)260-5578

[www.ResolutionProducts.com](http://www.ResolutionProducts.com)